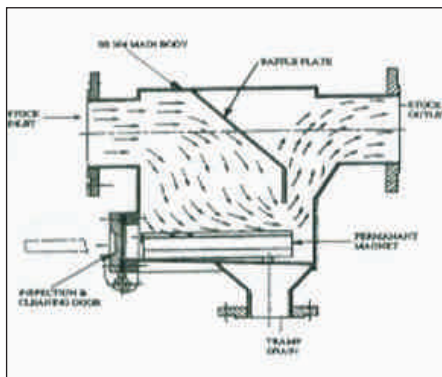
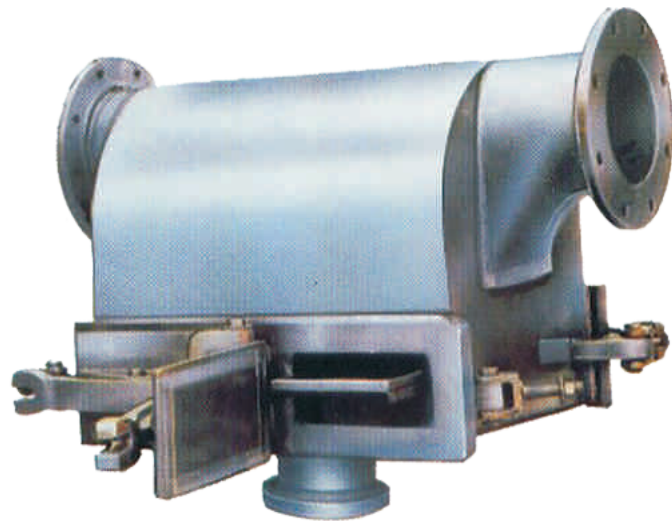
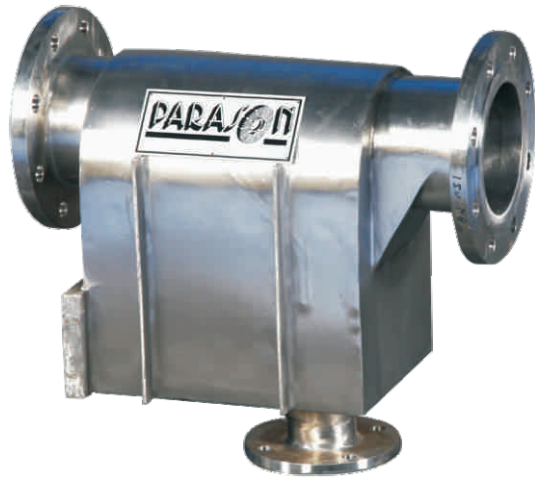
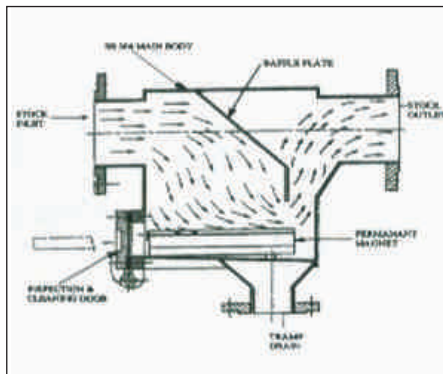


# PARASON TRAPMAGNI



On Line Auto Control Mechanism  
With Fiber Recovery System



## PARASON TRAPMAGNI

- Sturdy, fabricated stainless steel construction.
- Large permanent magnet for more contact area hence improved removal efficiency.
- For 6" - One magnet  
8" & 12" - Two magnets
- Well shaped body assets
- other non magnetic tramps for gravity.
- Periodic cleaning mark easy through cleaning door and tramp drain:
- Provision of tray over the concealed magnet for fast cleaning.
- Auto arrangements gives excellent results.

- Size  
Trapmagni 6 - 50 TPD  
Trapmagni 8 - 80 TPD  
Trapmagni 12- 140 TPD

## MAIN FEATURES

- Main body is SS-304
- No moving parts
- No flush water
- No energy consumption
- Maintenance free
- Easy installation
- Upto 6 bar operating pressure
- 1 year guarantee

\* Above products are patented design registry, copyright, trademark.  
\* Due to constant research and development specification are subject to change



## PARASON MACHINERY (I) PVT. LTD.

PARASONS HOUSE, 28, VENKATESH NAGAR, OPP. JALNA ROAD, AURANGABAD-431 001. (INDIA)  
TEL. : +91 (0) 240 - 2339234/35/36/37, FAX: +91 (0) 240 - 2332944  
CUSTOMER SERVICE NO. : +91 (0) 240 - 6644444, 6644200  
Web : www.parasonmachinery.com E-mail : info@parasonglobal.com  
Web : www.parasonglobal.com E-mail : parason@parasonglobal.com  
*Parason... Leader in stock preparation*